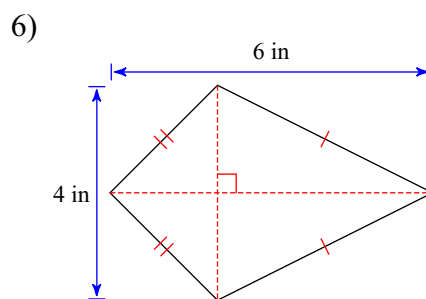
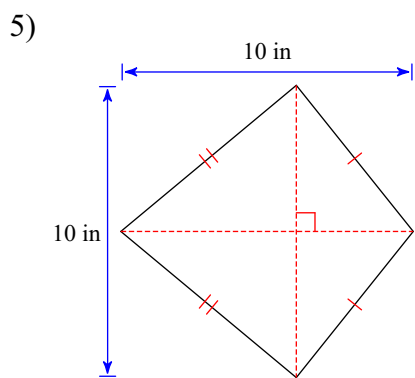
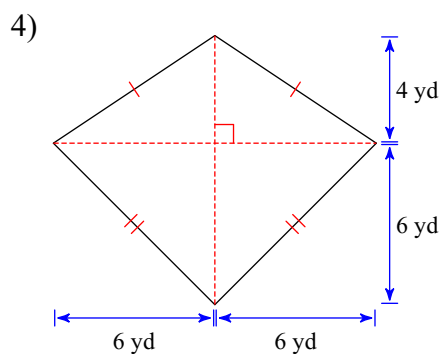
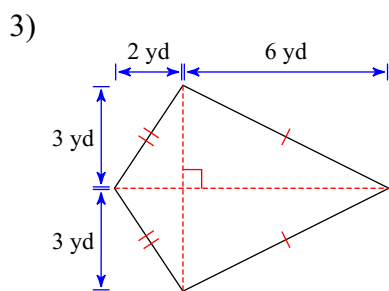
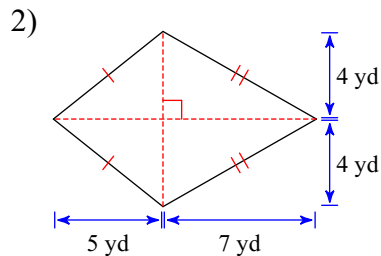
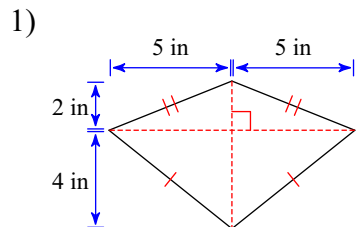


# Kites

**Find the area of each kite.**



**Solve each problem.**

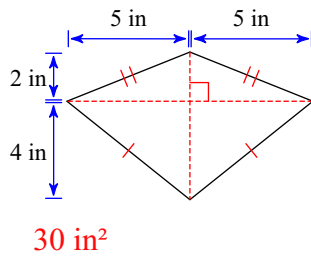
7) A kite has diagonals of 8 yd and 10 yd. What is the area of the kite?

8) A kite has diagonals of 8 in and 8 in. What is the area of the kite?

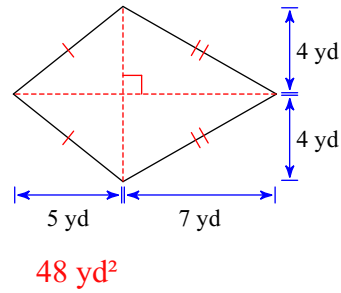
## Kites

Find the area of each kite.

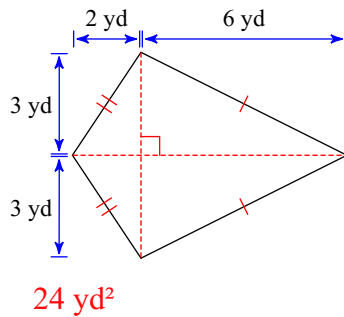
1)



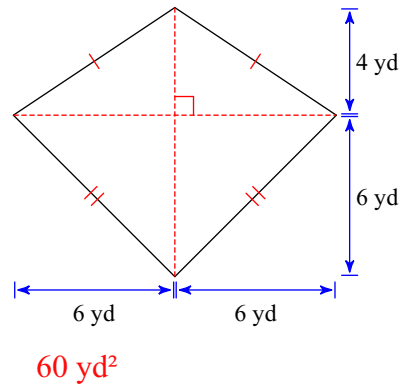
2)



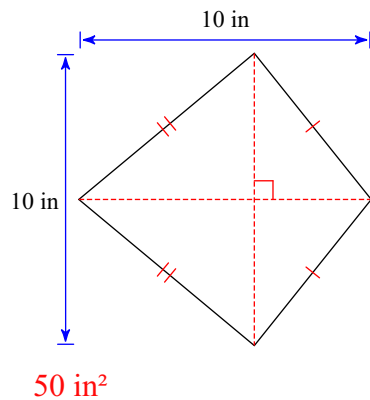
3)



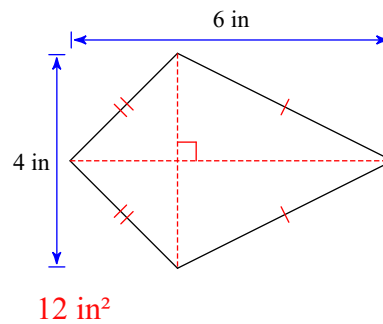
4)



5)



6)



Solve each problem.

7) A kite has diagonals of 8 yd and 10 yd. What is the area of the kite?

$40 \text{ yd}^2$

8) A kite has diagonals of 8 in and 8 in. What is the area of the kite?

$32 \text{ in}^2$